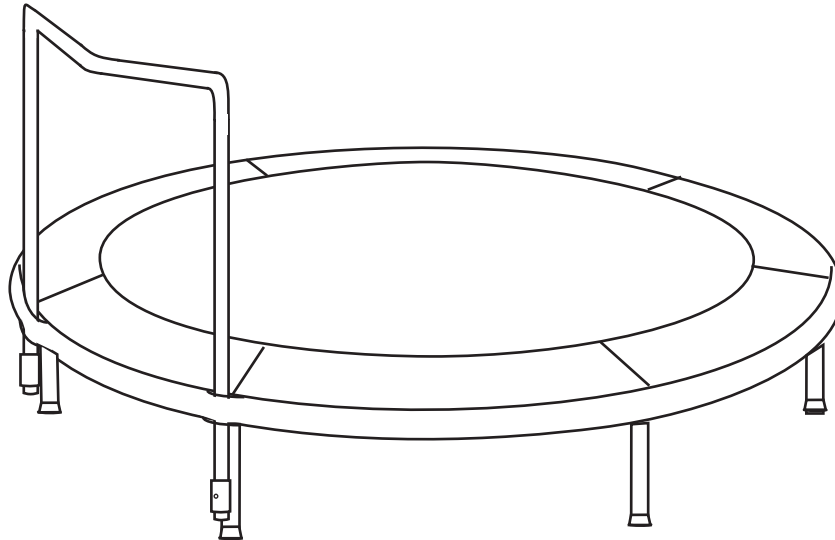


# 48" Bazoongi Bouncer



## **⚠ WARNING**

Read the assembly, installation, care, maintenance and use instructions in this manual prior to assembling and using this trampoline. Save this manual for future reference.

## **USER'S MANUAL . . . . . 3**

### **Assembly, Installation, Care, Maintenance and Use Instructions**

**WARNING:** This trampoline is designed for users weighing 45 kg (100 lbs.) or less.

Ladder is not included with trampoline.

This trampoline is not recommended for use by children under 6 years of age.

Please read all of the instructions prior to assembly. Do not apply excessive force during assembly. Assemble only with adult supervision. Use gloves to protect your hands from pinch points and sharp edges during assembly.



## QUESTIONS?

If you have questions after reading this manual, please call our toll-free Customer Hotline. The trained technicians on our Customer Hotline will provide immediate assistance.

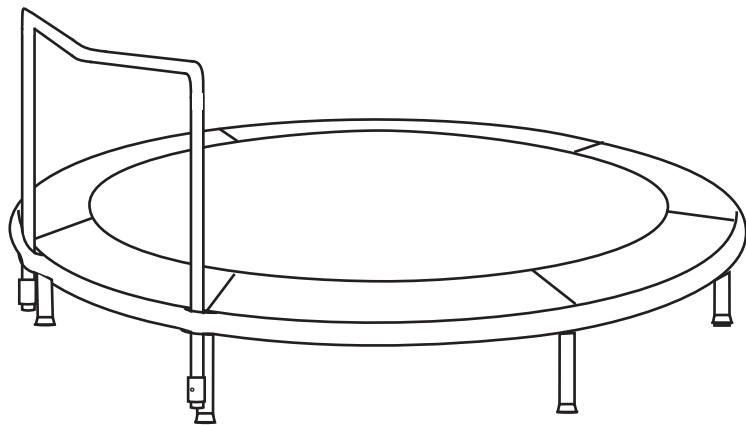
## NEED REPLACEMENT PARTS?

Customer Hotline: 1-877-927-8777  
Monday – Friday from 8 a.m. to 5 p.m.  
Central time  
[www.jumpking.com](http://www.jumpking.com)

# 48" Bazoongi Bouncer

## CONTENTS

IMPORTANT PRECAUTIONS .....	4
WARNING LABEL PLACEMENT .....	5
BEFORE YOU BEGIN .....	5
TRAMPOLINE SAFETY INFORMATION ....	6
USE AND INSTRUCTIONAL MATERIAL ....	8
ASSEMBLY .....	12
CARE AND MAINTENANCE .....	16
EXPLODED DRAWING AND PART LIST ....	17
ORDERING REPLACEMENT PARTS .....	17



# IMPORTANT PRECAUTIONS

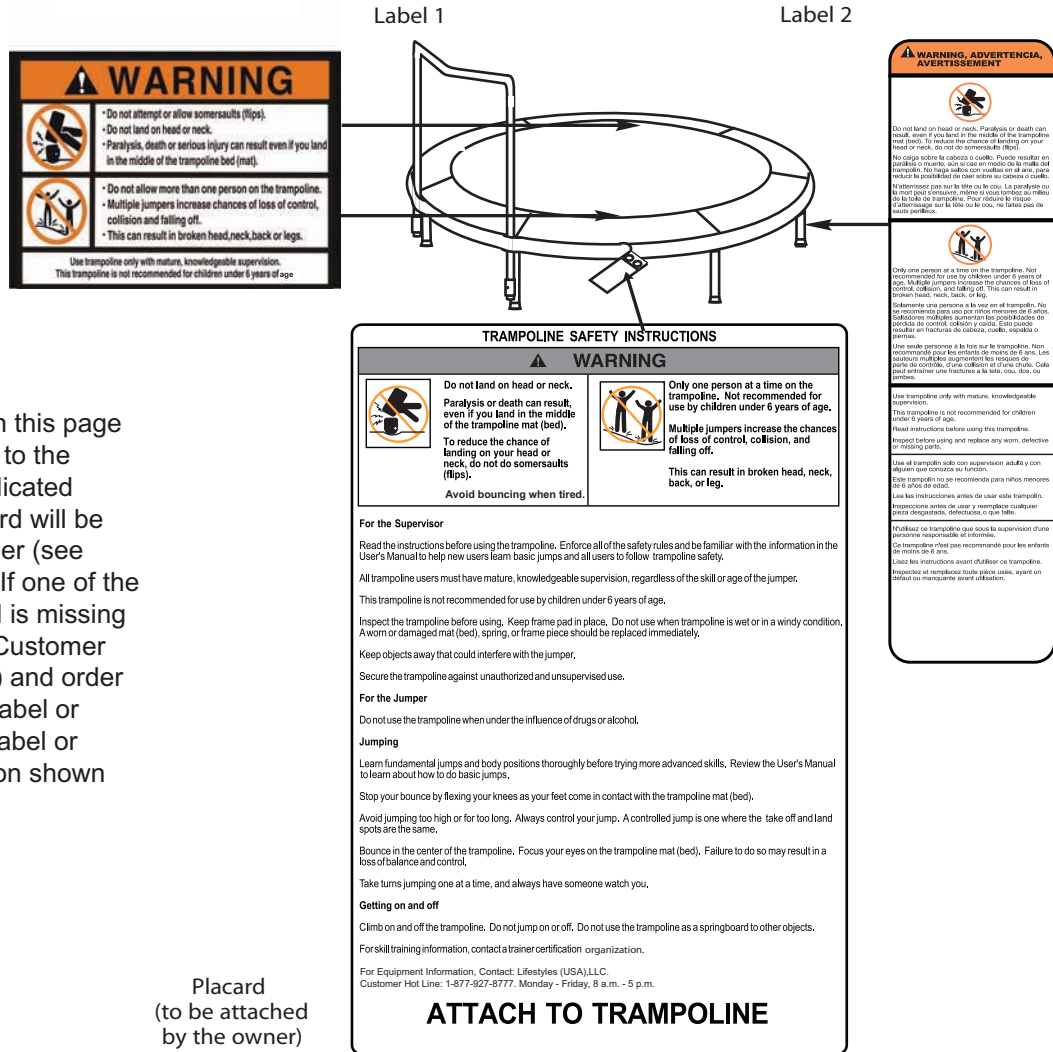
**⚠ WARNING:** To reduce the risk of serious injury, read and follow all warnings, precautions, and instructions in this manual before assembling and using the trampoline.

1. The owner and supervisors of the trampoline are responsible to make sure all the users are aware of practices specified in this manual.
2. Trained Spotter supervision is recommended.
3. Place the trampoline on a level surface before use.
4. Must place the trampoline on lawn, bark wood chip, sand or cushioning materials.
5. Adequate overhead clearance is essential. A minimum of 7.3 m (24 ft) from ground level is recommended. Provide clearance for wires, tree limbs, and other possible hazards.
6. Maintain a free space of minimum 2500mm on all sides of the trampoline. This area should not include concrete, bitumen, brick, or other hard surfaces as these can cause serious injuries.
7. Lateral clearance is essential. Place the trampoline away from walls, structures, fences, and other play areas. Maintain a clear space on sides of the trampoline.
8. Use the trampoline in a well lighted area. Artificial illumination may be required for indoor or shady areas.
9. Secure the trampoline against unauthorized and unsupervised use. If an access ladder is used, it should be removed when the trampoline is not in use.
10. Inspect the trampoline and enclosure before each use, and replace any worn, defective, or missing parts. Make sure the netting, enclosure tubes, and foam sleeves are correctly positioned.
11. Remove any obstructions from beneath the trampoline.
12. The trampoline is designed for users weighing 45kg (100 lbs.) or less. The trampoline is not recommended for use by children under 6 years of age.
13. Do not allow more than one person on the trampoline. Use by more than one person at the same time can result in serious injury.
14. Misuse and abuse of the trampoline is dangerous and can cause serious injuries.
15. Use the trampoline only with mature, knowledgeable supervision.
16. Climb onto and off the trampoline. Do not jump onto it or off it. Do not use the trampoline as a springboard to other objects.
17. Injury may result from encountering the frame or falling through the springs while getting onto or off the trampoline or while jumping. Stay in the center of the bed when jumping. Do not use the trampoline without the frame pad securely in place to cover the frame. The frame pad is not designed or intended to support the weight of the user. Do not step or jump directly onto the frame pad.
18. The trampoline is a rebounding device that propels the user to unaccustomed heights and into a variety of body movements. Rebounding off the trampoline, striking the frame or springs, or improperly landing on the bed may cause injury.
19. Do not attempt or allow somersaults. This can result in a broken head, neck, back, or leg. Landing on the head or neck can cause serious injury, paralysis, or death, even landing on the middle of the bed.
20. Do not use the trampoline while under the influence of alcohol or drugs. These substances impair reaction time, judgement, and physical coordination.
21. Do not jump on the trampoline while holding an object, particularly one that is sharp or breakable.
22. Bounce only when the surface of the bed is dry. Wind or air movement should be calm to gentle. The trampoline must not be used in gusty or severe winds.
23. The trampoline frame is made of metal. It is not grounded and will conduct electricity.
24. Keep all frame and heat sources away from the product.

# WARNING PLACARD PLACEMENT

The placard shown at the bottom must be attached to the trampoline by the owner (see assembly step 9 on page 15). If the placard is missing or illegible, call our toll-free Customer Hotline at 1-877-927-8777 Monday through Friday from 8 a.m. to 5 p.m. Central Time to order a free replacement placard.

Note: The placard is not shown actual size.



The labels shown on this page have been attached to the trampoline in the indicated locations. The placard will be attached by the owner (see step 9 on page 15). If one of the labels or the placard is missing or illegible, call our Customer Hotline (see page 3) and order a free replacement label or placard. Attach the label or placard in the location shown

Placard  
(to be attached  
by the owner)

## BEFORE YOU BEGIN

Thank you for selecting a mini trampoline. Mini trampolines are designed and crafted to provide many years of fun and fitness. This trampoline is equipped with warnings and instructions for the assembly, care, maintenance and use of the trampoline. This information must be read by all trampoline supervisors and users before any person is allowed to use the trampoline.

If you have questions after reading this manual, please call our Customer Hotline at 1-877-927-8777 Monday - Friday from 8 a.m. to 5 p.m. Central Time (excluding holidays). To help us assist you, please mention the name of the product when calling.

---

## TRAMPOLINE SAFETY INFORMATION

In trampoline use, as in all active recreational sports, participants can be injured. However, there are steps that can be taken to reduce the risk of injury. In this section, primary accident patterns are identified and the responsibilities of supervisors and jumpers in accident prevention are described.

### ACCIDENT CLASSIFICATION

**Somersaults (flips):** Landing on your head or neck, even in the middle of the trampoline bed, increases the risk of a broken back or neck, which can result in paralysis or death. Such events can occur when a jumper makes an error trying to perform a forward or backward somersault (flip). Do not perform somersaults (flips) on this backyard trampoline.

**Multiple Jumpers:** More than one jumper on the trampoline increases the chance of a jumper becoming injured by losing control of his or her jump. Jumpers may collide with one another, fall off the trampoline, fall on or through the springs, or land incorrectly on the bed. The lightest weight jumper is the jumper most likely to be injured.

**Mounting and Dismounting:** The trampoline bed is several feet from ground level. Jumping off the trampoline to the ground or any other surface may result in injury. Jumping onto the trampoline from a roof, deck, or other object also represents a risk of injury. Smaller children may need assistance getting onto or down from the trampoline. Climb carefully onto and off the trampoline. Do not step onto the springs or the frame pad. Do not grasp the frame pad to pull yourself onto the trampoline.

**Striking the Frame or the Springs:** Injury may result from encountering the frame or falling through the springs while jumping or getting onto or off the trampoline. Stay in the center of the bed when jumping. Make sure to keep the frame pad in place to cover the frame. The frame pad is not designed nor intended to support the weight of the trampoline user. Do not step or jump directly onto the frame pad.

**Loss of Control:** Jumpers who lose control of their jump may land on the bed incorrectly, land on the frame or springs, or fall off the trampoline. A controlled jump is one where the landing is in the same spot as the takeoff. Before learning a more difficult maneuver, the preceding one should be performed consistently under control. Attempting a maneuver beyond present skill levels increases the chance of loss of control. To regain control and stop your jump, bend your knees sharply when you land.

**Alcohol or Drug Use:** The chance of injury increases when a jumper has consumed alcohol or taken drugs. These substances impair a person's reaction time, judgment, and physical coordination.

**Encountering Objects:** Use of a trampoline while other people, pets, or objects are underneath it will increase the chance of injury. Jumping while holding or having an object on the trampoline, particularly one that is sharp or breakable, will increase the chance of injury. Placing a trampoline too close to overhead electrical wires, tree limbs, or other obstructions can increase the chance of injury.

**Poor Maintenance of the Trampoline:** Jumpers may be injured if a trampoline is used when it is in poor condition. A torn bed, bent frame, broken spring, or missing frame pad, for example, should be replaced before anyone is allowed to jump. Inspect the trampoline before each use.

**Weather Conditions :** A wet trampoline bed is too slippery for safe jumping. Gusty or high winds can cause jumpers to lose control. To reduce the chance of injury, use the trampoline only under appropriate weather conditions.

**Access:** To prevent access to the trampoline by unsupervised smaller children, the access ladder should always be removed and stored in a secure location when the trampoline is not in use.

## METHODS OF ACCIDENT PREVENTION

### The Supervisor's Role in Preventing Accidents

It is the responsibility of the supervisors of trampoline users to provide knowledgeable and mature supervision. They need to know and enforce all the rules and warnings set forth in this manual to minimize the likelihood of accidents and injuries and to inform users of these rules. During periods of time when supervision is unavailable or inadequate, this may require that the trampoline be disassembled, placed in a secure area, or otherwise secured against unauthorized use. Another option that may be considered is covering the trampoline with a heavy tarp that can be secured with locks and chains. It is the responsibility of the supervisor to make sure that the placard with TRAMPOLINE SAFETY INSTRUCTIONS (see step 7 on page 18) is kept posted on the trampoline and that jumpers are informed about these instructions.

### The Jumper's Role in Preventing Accidents

Education on the part of the user is a must for safety. Users must first learn a low, controlled bounce and then learn the basic landing positions and combinations before proceeding to intermediate skills. Jumpers must understand why they have to master "control" before they can start thinking about other moves. Understanding the proper progression of skills in jumping on a trampoline must be the first lesson. Review this manual to learn about the basic techniques for using the trampoline. Follow the rules on the placard with TRAMPOLINE SAFETY INSTRUCTIONS (see step 7 on page 18). For further information or additional instructional materials, contact a certified trampoline instructor.

## TRAMPOLINE SAFETY INSTRUCTIONS

### For the Supervisor

Read the instructions before using the trampoline. Enforce all of the safety rules and be familiar with the information in this manual to help new users learn basic jumps and all users follow trampoline safety. All trampoline users must have mature, knowledgeable supervision, regardless of the skill or age of the jumper.

This trampoline is not recommended for use by children under 6 years of age.

Inspect the trampoline before using it. Do not use the trampoline without the frame pad securely in place to cover the frame. Do not use the trampoline when it is wet or in a windy condition. A worn or damaged bed, spring, or frame piece should be replaced immediately.

Keep objects away that could interfere with the jumper.

Secure the trampoline against unauthorized and unsupervised use.

### For the Jumper

Do not use the trampoline when under the influence of drugs or alcohol.

Avoid bouncing when tired.

## JUMPING

Learn fundamental jumps and body positions thoroughly before trying more advanced skills. Be alert to your own limitations in the execution of trampoline skills. Review this manual to learn how to do basic jumps.

Stop your bounce by flexing your knees as your feet come in contact with the trampoline bed. Learn this skill before attempting others.

Avoid jumping too high or for too long. Always control your jump. A controlled jump is one where the takeoff and landing spots are the same.

Bounce in the center of the trampoline. Focus your eyes on the frame pad. Failure to do so may result in a loss of balance and control.

Take turns jumping, one at a time, and always have someone watch you.

## GETTING ON AND OFF

Climb onto and off the trampoline; do not jump onto it or off it. Do not use the trampoline as a springboard to other objects. For additional information regarding skill training, contact a trainer certification organization.

---

# USE AND INSTRUCTIONAL MATERIAL

## OVERVIEW OF TRAMPOLINE USE

The first periods of trampoline use should focus on learning fundamental body positions and practicing the eight basic bounces that are described on pages 13 and 14 in this manual.

During this learning period, jumpers should practise these basic techniques and perfect them. Braking, or checking the bounce, should be taught first and stressed as a safety measure. Jumpers should brake their jump whenever they start to lose balance or control. This is done by simply flexing the knees sharply upon landing and absorbing the upward thrust of the bed. This enables the jumper to stop suddenly and avoid losing control.

In trampoline use, the takeoff point and landing point of a good, controlled jump are in the same spot. An exercise is considered learned only when a jumper is able to perform it consistently. Jumpers should never proceed to any advanced step until they can perform all previous techniques consistently.

Allow each jumper a brief turn on the trampoline. Extended bouncing exposes an overtired user to an increased risk of injury. Longer turns tend to lessen the interest of others waiting to jump. Clothing should consist of a T-shirt and shorts. Jumpers should wear regulation gymnastic shoes or heavy socks, or they may jump barefoot. Street shoes or tennis shoes

should not be worn on the trampoline. Beginning jumpers may wish to wear loose-fitting protective clothes, such as a long-sleeve shirt and pants, until correct landings are mastered. This will reduce the chance of mat (bed) burns from improper landings on elbows and knees. No hard-sole shoes should be worn, as they cause excessive wear on the trampoline bed.

Mounting and dismounting properly should be a strict rule from the beginning. Users should climb onto the trampoline by placing their hands on the frame and stepping or rolling up onto the frame, across the springs, and onto the bed. Do not step directly onto the frame pad or grasp the frame pad when mounting or dismounting the trampoline. Users should always place their hands on the frame while mounting or dismounting. To dismount, jumpers should walk to the side of the bed, bend over and place one hand on the frame, and then step from the bed to the ground. If you have installed the optional ladder, its rungs can be used to mount or dismount. Always face the ladder and place your hands on the frame. Make sure your foot has secure contact with the ladder rung when using it.

Reckless bouncing should not be permitted. All skills should be learned at moderate heights. Control, rather than height, should be emphasized. Jumpers should be forbidden to practice alone and unsupervised.



## INSTRUCTIONAL PROGRAM AND MODEL LESSONS

The following lessons are examples of an instructional program. They should follow a complete discussion and demonstration of body mechanics between the supervisor and the student(s). See pages 10 and 11 for descriptions of basic trampoline skills.

### Lesson 1

1. Mounting and dismounting—Demonstration and practice of proper techniques.
2. Fundamental bounce—Demonstration and practice.
3. Braking (checking the bounce)—Demonstration and practice. Braking on command.
4. Hand and knee drop—Demonstration and practice, stressing four-point landing and alignment.

### Lesson 2

1. Review and practice of skills previously learned.
2. Knee drop—Half twist to the right, to the left, to the feet, and then to the knees.
3. Seat drop—Half twist to the feet. Seat drop, knee drop, hand and knee drop, repeat.

### Lesson 3

1. Review and practice of skills previously learned.
2. Front drop—To save time and avoid mat (bed) burns, all students should be requested to assume the front drop position on the floor while the instructor checks for faults. Suggested progression: from hand and knee bounce, the body is extended for the landing in the front drop position, and the rebound is made to the feet.
3. Practice routine—Hand and knee drop, front drop, feet, seat drop, half twist to feet.

### Lesson 4

1. Review and practice of skills previously learned.
2. Back drop—Demonstration, emphasizing the forward thrust of the hips by arching the body as one

leg is brought forward from the standing (not bouncing) position, and the drop to the back with the chin held forward to the chest and the eyes forward on the frame pad. Spotting this skill is most important. Demonstration of back drop with low bounce and practice of both techniques.

### Lesson 5

1. Review and practice of skills previously learned, encouraging original routines based on them.
2. Half turntable—Start from the front drop position and push to the left or right with the hands. Turn the head and shoulders in the same direction. Keep the back parallel to the bed and the head up. After completing a half turn, land in the front drop position.

### Lesson 6

1. Swivel hips—Suggested progression: seat drop, feet, half twist, repeat; seat drop, half twist to feet, repeat; seat drop, half twist to seat drop.
2. Half turntable.

### Lesson 7

The student should now be encouraged to design and organize routines, with emphasis on good form. The instructor may judge or grade students and arrange groupings for further instruction accordingly.

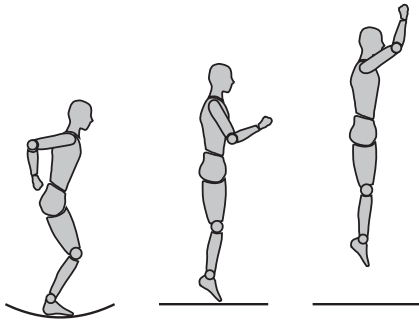
To stimulate interest in competition, the game of "Trampoline Horse" can be introduced. Before the game begins, students must count off. To start the game, student number 1 performs a stunt. Student number 2 then mounts the trampoline and performs the same stunt and adds a second stunt. Student number 3 mounts and performs stunts 1 and 2 and adds a third stunt. Thus, the series of stunts is continuously lengthened. The first person to miss a stunt in the series assumes the letter "H" and starts a new series with a stunt. If a person misses again, he assumes the letter "O." The first person to accumulate "H-O-R-S-E" is eliminated from the game. The last remaining contestant is the winner.

Lesson planning from this point should be facilitated by contacting a certified trampoline instructor.

## BASIC TRAMPOLINE SKILLS

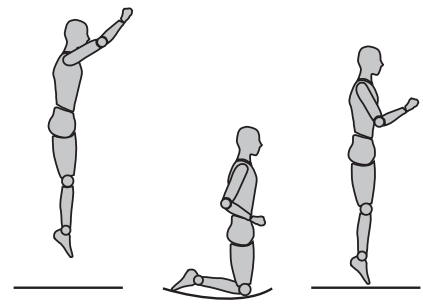
### Fundamental Bounce

1. Start from a standing position with your head erect and your eyes on the frame pad.
2. Swing your arms forward and up in a circular motion.
3. Bring your feet together and point your toes downward while in the air.
4. Keep your feet about 30 cm (15 in.) apart when landing on the bed.



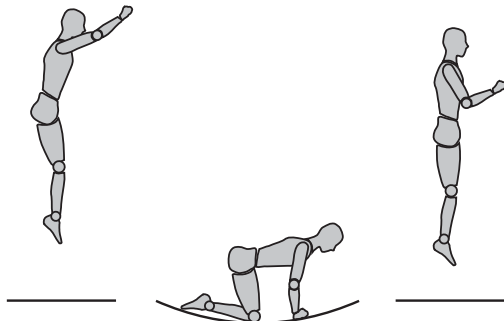
### Knee Drop

1. Start bouncing from a standing position, keeping your eyes on the frame pad.
2. Land on your knees, keeping your back straight and your body erect.
3. Come back up to an erect position.



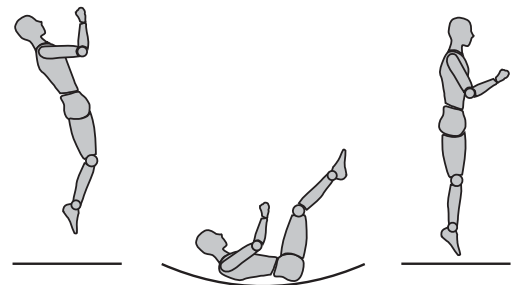
### Hand and Knee Drop

1. Start bouncing from a standing position, keeping your eyes on the frame pad.
2. Land on the bed on your hands and knees.
3. Push with your hands and come back up to an erect position.



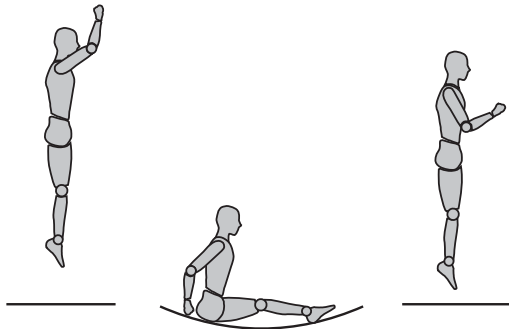
### Back Drop

1. Start from a low bounce and land on your back.
2. Keep your chin forward on your chest as you land.
3. Kick forward and up with your legs to return to an erect position.



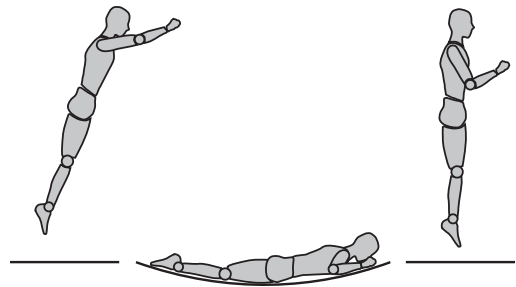
### Seat Drop

1. Land in a sitting position with your legs parallel to the bed.
2. Place your hands on the bed beside your hips.
3. Push with your hands to return to an erect position.



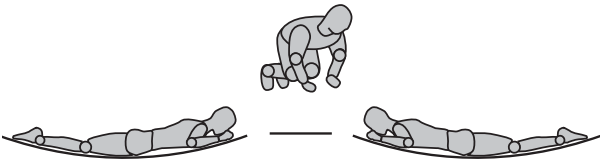
### Front Drop

1. Start from a low bounce and land on the bed in a prone position.
2. Keep your head up and your arms extended forward on the bed.
3. Push with your arms to return to an erect position.



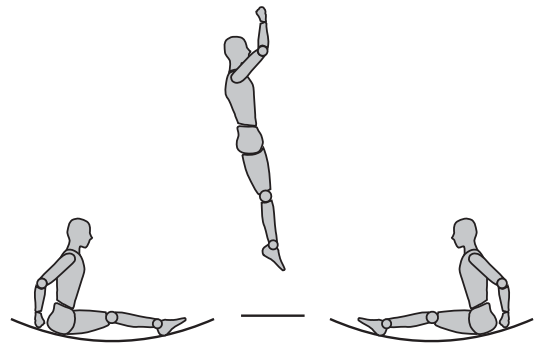
### Half Turntable

1. Start from the front drop position and push to the left or right with your arms to begin turning your body in the opposite direction.
2. Turn your head and shoulders toward the direction that your body is turning.
3. Keep your back parallel to the bed and your head up.
4. After completing a half turn, land in the front drop position.



### Swivel Hips

1. Start with a seat drop.
2. Turn your head to the left or right and swing your arms up in the same direction.
3. Turn your hips in the same direction as your head and arms, completing a twist.
4. Land in the seat drop position.



# ASSEMBLY

## IMPORTANT ASSEMBLY INFORMATION

- A Phillips Head screwdriver is needed to assemble this trampoline. However, a screwdriver is not included.
- Assembly requires two adults. Keep children away from the trampoline until it is fully assembled.
- Use gloves to protect your hands from pinch points during assembly.
- The assembly steps refer to parts by their descriptions and key numbers (see the PART LIST on page 17). If a part is missing, see ORDERING REPLACEMENT PARTS on page 17.

## TRAMPOLINE/ENCLOSURE PLACEMENT

1. Place the trampoline on a level surface before use.
2. Adequate overhead clearance is essential. A minimum of 7.3 m (24 ft.) from ground level is

recommended. Provide clearance for wires, tree limbs, and other possible hazards. Lateral clearance is also essential. Place the trampoline away from walls, structures, fences, and other play areas. Maintain a clear space on all sides of the trampoline/enclosure.

3. Use the trampoline in a well-lighted area. Artificial illumination may be required for indoor or shady areas.
4. Secure the trampoline against unauthorized and unsupervised use. Children should always be supervised by an adult when using the trampoline.
5. Remove any obstructions from beneath the trampoline.
6. The owner and supervisors of the trampoline are responsible to make all users aware of practices specified in this manual.

1. Make sure you understand the information in the box at the top of this page before you begin assembling the trampoline.

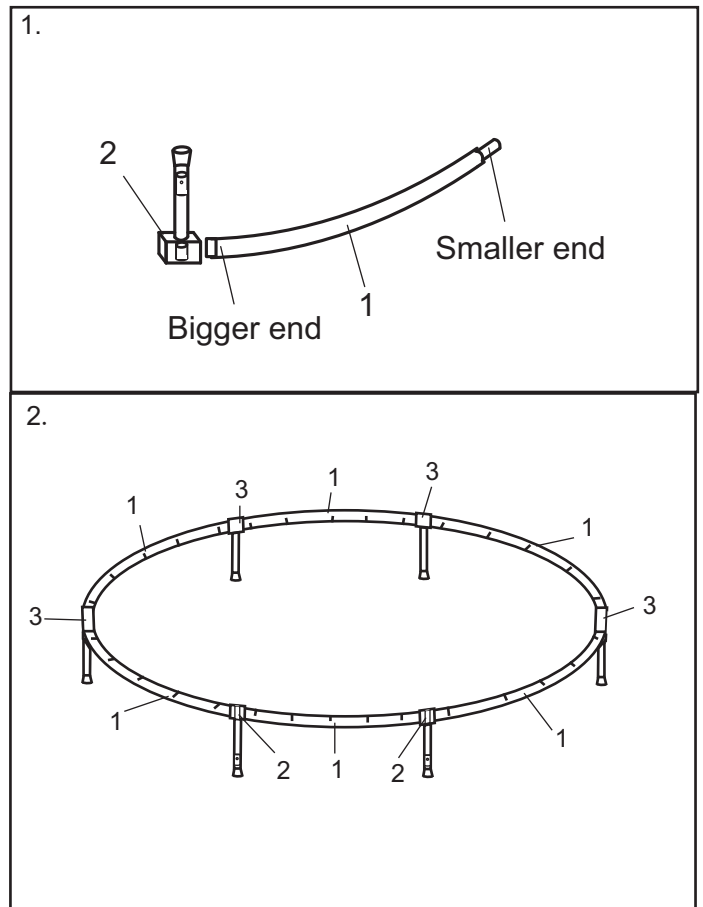
Lay top tube (1) and T-connector (2) on the ground as shown. Insert the bigger end of top tube (1) into the T-connector (2).

You have now assembled one leg section. Repeat these steps to assemble remaining sections.

2. Note: This step requires two adults. During this step, you will connect the five leg sections.

Hold the leg sections in the positions shown. Insert the top tube (1) with smaller end into the other sections of T-connector.

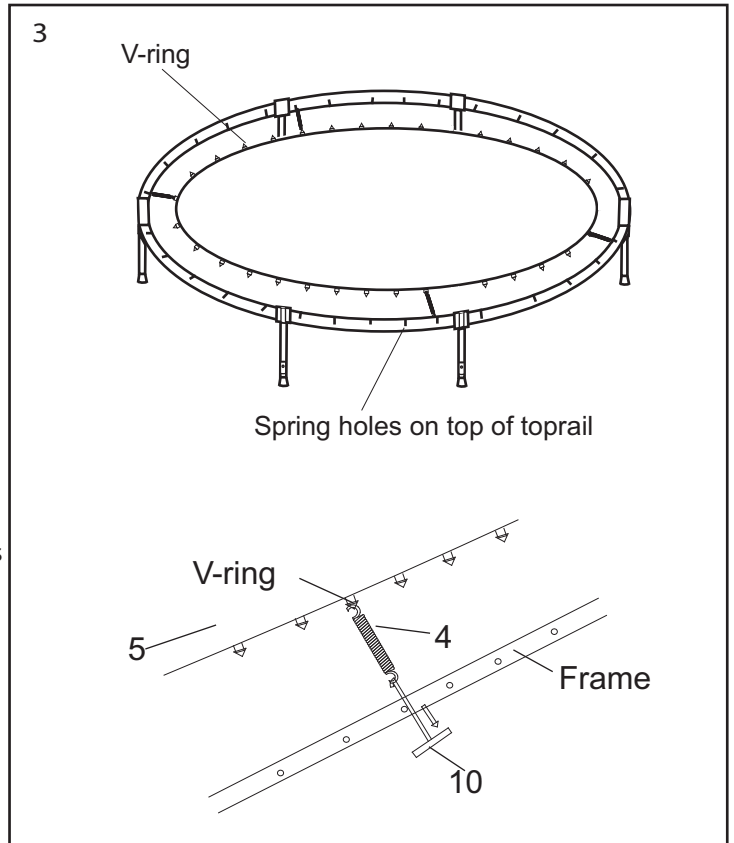
Repeat this step until all five leg sections are connected.



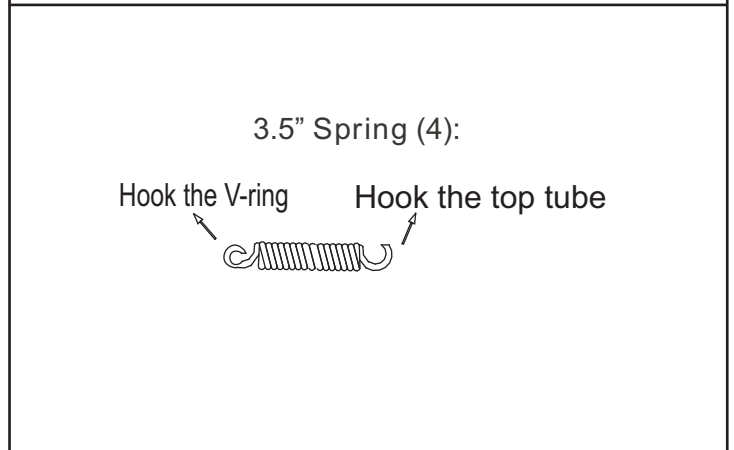
- Lay the Bed (5) on the ground inside of the assembled frame. Make sure that the two warning decals (not shown) are on top of the Bed.

Note: There are V-rings around the edge of the Bed (5) and holes around the top and bottom of the frame.

During this step, you will attach the Bed to the frame using the included Springs for holes on frame (see the inset drawing). Hook a spring to the Bed (5) and using the spring pulling tool (10), pull the spring from the Bed to the hole slot in the trampoline frame with even spring tension. Attach a second spring (4) directly across the bed from the first spring (4). Attach two more springs (4) halfway between the first two springs (4), so four spring (4) are attached as shown. Attach four more springs (4) (not shown) halfway between the first four springs (4). Continue attaching springs (4) halfway between the previously attached springs (4), until all the springs (4) are attached.

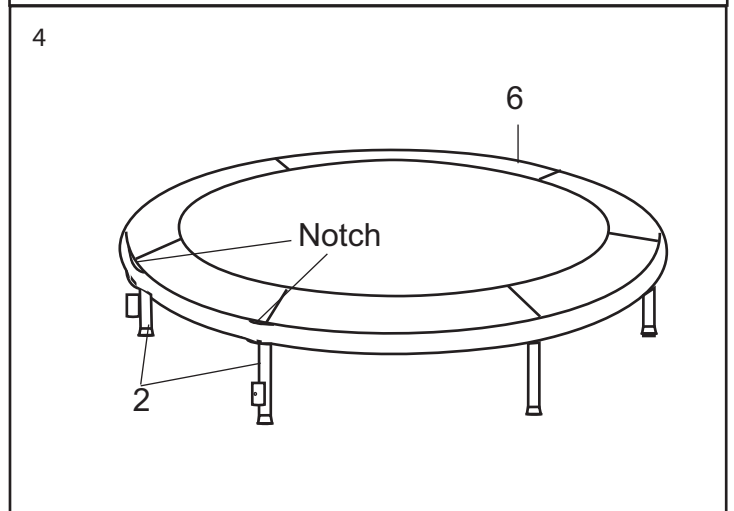


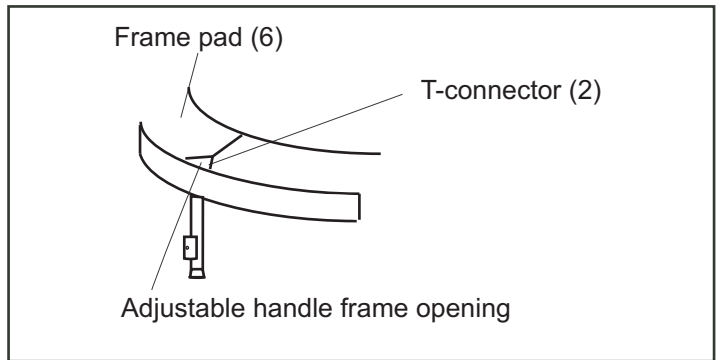
When installing the springs, wear gloves and protective eye wear.



- Lay the Frame Pad (6) on the frame. Adjust the position of the Frame Pad so the notches are aligned with the T-connector (2) as shown. Be sure the adjustable handle frame openings are fit to the T-connector (2) position.

Do not use the trampoline without the Frame Pad (6), which is designed to reduce the likelihood of injury to the user from coming in contact with the trampoline frame. If you do not have a Frame Pad, contact your dealer to obtain one. Properly install the Frame Pad before using the trampoline.

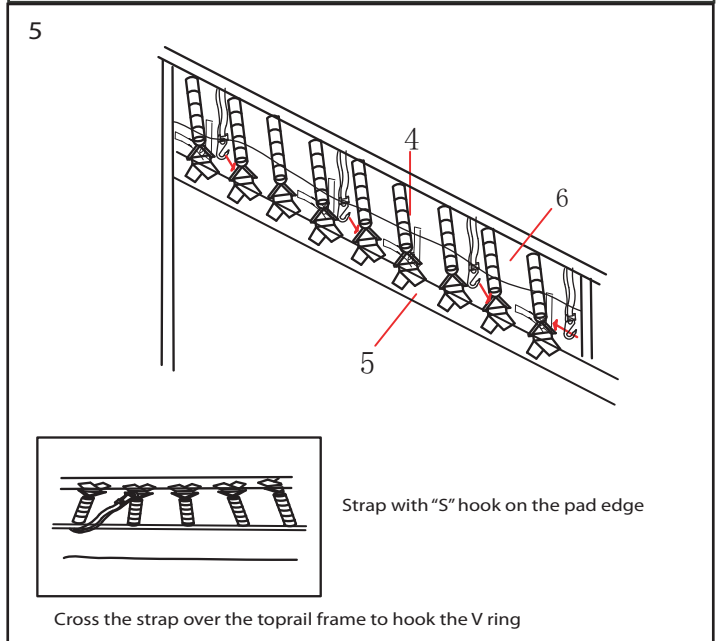




5. Look under the trampoline and locate the pairs of straps attached to the underside of the Frame Pad (6). Note that some pairs of straps are near the frame and other pairs of straps are near the edge of the Bed (5). Position each outer pair of straps so one strap is on each side of the frame as shown. Position each inner pair of straps so one strap is on each side of the nearest Spring (4) as shown. Do not overtighten the straps.

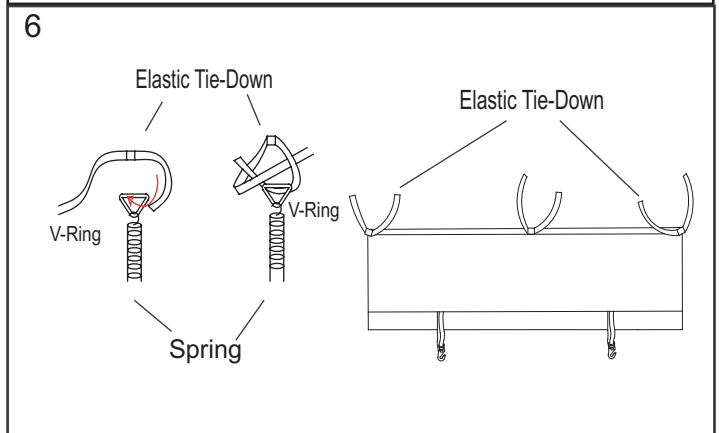
See the inset drawing.

Repeat this step with the remaining straps (not shown).



6. Thread one end of Elastic Tie-Down, then tie a knot on V-Ring.

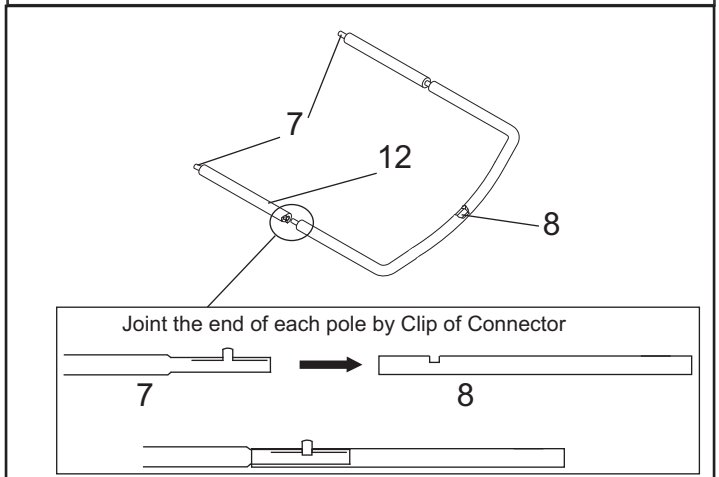
Repeat this step with the remaining straps which at middle position of each pad section (not shown).



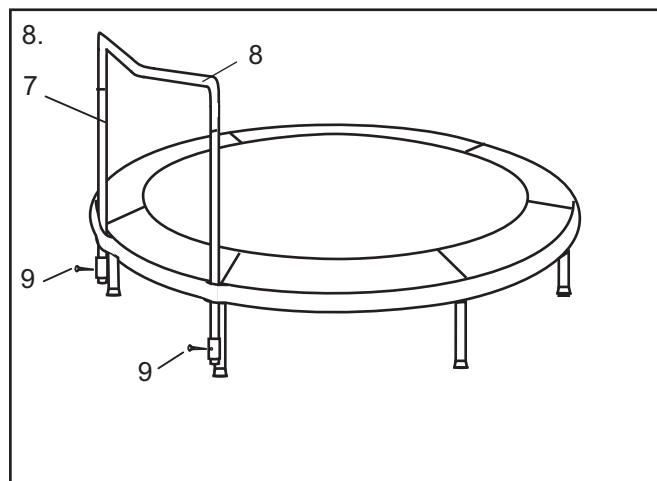
7. Lay two bottom poles (7), and one arch pole (8) on the ground.

Make sure that the bottom pole (7) is oriented so the small holes are in the position shown. Slide a Foam Sleeve (12) onto each of the tubes; note that the ends of the bottom pole (7) should not be covered.

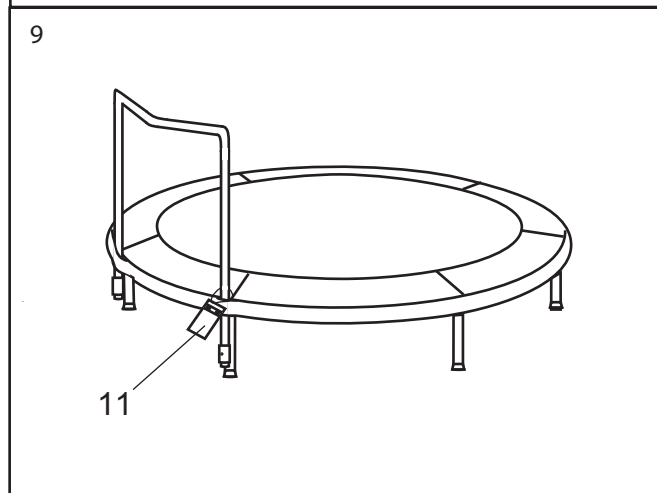
Connect the bottom pole (7) to arch pole (8) by the clip.



8. Insert the handle (7 / 8) into T-connector (2).  
Tighten the self-tapping screw (9).



9. Using the included plastic tie, attach the Safety Placard (11) to the frame near the point where jumpers will climb onto and off the trampoline. The trampoline is now fully assembled. Make sure that all parts are securely attached. Familiarize yourself and all users of the trampoline with the safety precautions, use and instructional materials, and care and maintenance instructions in this manual before using the trampoline.



## Disassembly

To disassemble the trampoline, follow assembly steps 1 through 9 in reverse order. Do not attempt to disassemble any trampoline frame components before the springs and bed have been removed. Use gloves to protect your hands from pinch points during disassembly.

---

## CARE AND MAINTENANCE

### CARE

Do not allow pets or animals on the trampoline or inside the enclosure, as claws may snag and pull the bed material or damage the frame pad or netting.

The trampoline is intended to be used by one person at a time weighing 45 kg (100 lbs.) or less.

The user should be either barefoot, wearing socks, or wearing gymnastic shoes.

Street shoes or tennis shoes should not be worn on the trampoline. The user should remove all sharp objects from his or her person that may cause injury or damage to the bed. Heavy, sharp, or pointed hard objects should not contact the bed.

Appropriate shoes should be worn inside the enclosure to reduce wear to the bed.

### MAINTENANCE

Your trampoline is manufactured using quality materials and crafted to provide you and your family with many years of enjoyment and exercise. Proper maintenance and care will help to prolong the life of the trampoline and reduce the possibility of injury.

Prolonged exposure to the sun, especially ultraviolet rays, will shorten the life of the trampoline fabric. For longer fabric life store the trampoline when it is not being used a dry trampoline, properly stored, will provide the longest life of the fabric, sewing, and hardware.

The following guidelines should always be observed.

Inspect the trampoline before each use, and replace any worn, defective, or missing parts.

The following conditions could represent potential hazards and increase the danger of personal injury:

- a missing, improperly positioned, or insecurely attached frame pad, foam sleeves.
- punctures, frays, tears, or holes worn in the bed, frame pad, foam sleeves.
- deterioration in the stitching or fabric of the bed, frame pad
- ruptured or missing springs
- a bent or broken frame, leg, enclosure tubes
- a sagging bed
- sharp protrusions on the frame, suspension system

If any of these conditions exists, the trampoline should be disassembled or otherwise protected against use until the condition is remedied.

### REMOVING AND STORING THE TRAMPOLINE

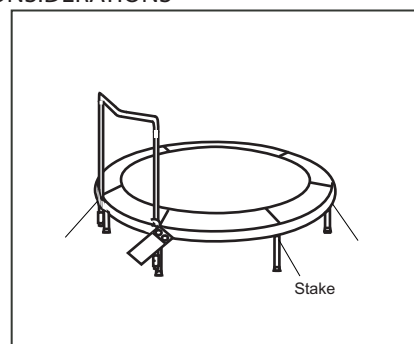
Make sure that the trampoline is dry before removing and storing it. Use caution while removing the tubes due to the weight of the tubes.

Before disassembling the trampoline, remove all objects from the trampoline bed. Make sure that the bed is clean and that it has no tears or holes.

Store the trampoline in a safe, dry location.

### SPECIAL CONSIDERATIONS

#### High Wind



It is possible for the trampoline to be blown about by high wind. If you anticipate high winds, the trampoline should be moved to a sheltered location, disassembled, or tied down to the ground with ropes and stakes (not included). At least three ropes and three stakes should be used. The tops of the stakes should be at ground level so that they will not create a tripping hazard. In addition, the tops of the stakes should be covered, if necessary, so that users will not be injured by falling onto the stakes. Make sure to attach the ropes to the top of the frame; **do not simply secure the legs or the bases to the ground, as they can separate from the frame sockets.**

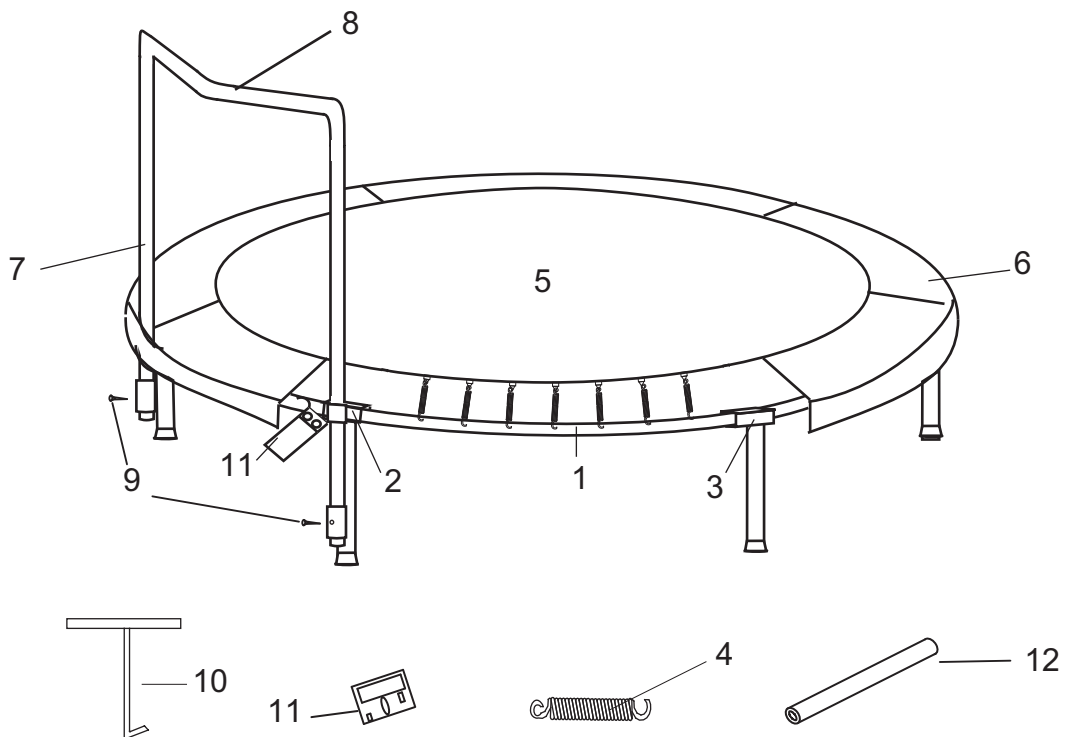
#### Moving the Trampoline

If the trampoline needs to be moved, it should be moved by two persons, kept horizontal, and lifted slightly. If necessary, the trampoline can be disassembled for moving.

To disassemble the trampoline, follow the assembly steps in reverse order (see pages 12 to 15). Do not attempt to disassemble the frame sections, legs, or bases before the bed and springs have been removed.



# EXPLODED DRAWING AND PART LIST



Key No.	Qty.	Description	Key No.	Qty.	Description
1	6	Top Tube	8	1	Arch pole
2	2	T-connector (With screw hole)	9	2	Self-tapping screw
3	4	T-connector	10	1	Spring Pulling Tool
4	30	3.5" Length Springs	11	1	User's Manual and Safety Placard
5	1	Stitched Bed with V-rings	*12	3	Foam sleeves (had been attached to adjustable handle)
6	1	Frame Pad with Frog printing			
7	2	Bottom pole			

\*This part is not illustrated.  
Specifications are subject to change without notice.

## ORDERING REPLACEMENT PARTS

To order replacement parts, visit our Web site or call our Customer Hotline (see page 3). To help us assist you, please provide the following information when calling:

- the MODEL of the trampoline
- the NAME of the product
- the KEY NUMBER and DESCRIPTION of the part (see the PART LIST above)
- the quantity needed
- the desired method of shipping